

**NEX**  
**UNDERWATER**  
**PRODUCTS**

**2024**  
**Accessory**  
**Catalog**

625-c California Ave Sand City, CA 93955

831-642-9966

[sales@nexdive.com](mailto:sales@nexdive.com)

## Multi functional trim bar glider (POM)

MSRP: \$ 12

### Material

DUPONT DELRIN 100

D11.0191.696.01.XX

MFT For 2in webbing (3 PCS a bag), bungee not included

D11.0191.697.01.XX

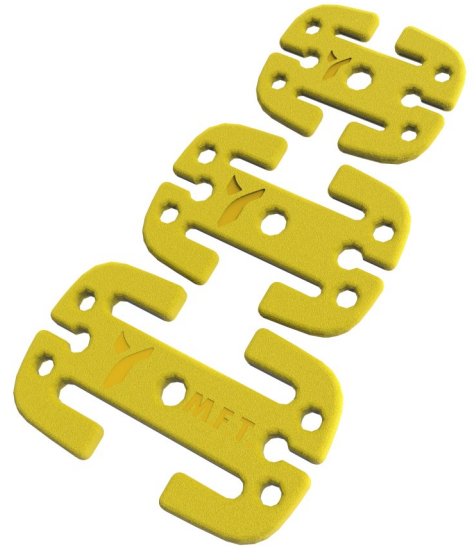
MFT For 1.5in webbing (3 PCS a bag), bungee not included

D11.0191.698.01.XX

MFT For 1in webbing (3 PCS a bag), bungee not included

Color : XX=

Black (01), Orange (02), Green (03), Yellow (04), Blue (05),  
Red (06), and Noctilucent (07)



## SQC buckle

MSRP: \$ 19

### Material

DUPONT DELRIN 100 (POM)

D11.0191.635.01.01 Tek Black

D11.0191.635.01.02 Raid (Orange)

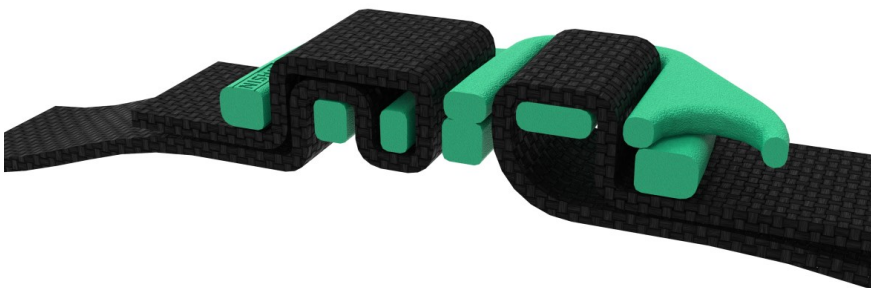
D11.0191.635.01.03 NITROX (Green)

D11.0191.635.01.04 Octopus (Yellow)

D11.0191.635.01.05 TRIMIX (Blue)

D11.0191.635.01.06 Marry (Red)

D11.0191.635.01.07 LA VADER (Purple)



# Cave Line Arrow Bungee Hook -POM version

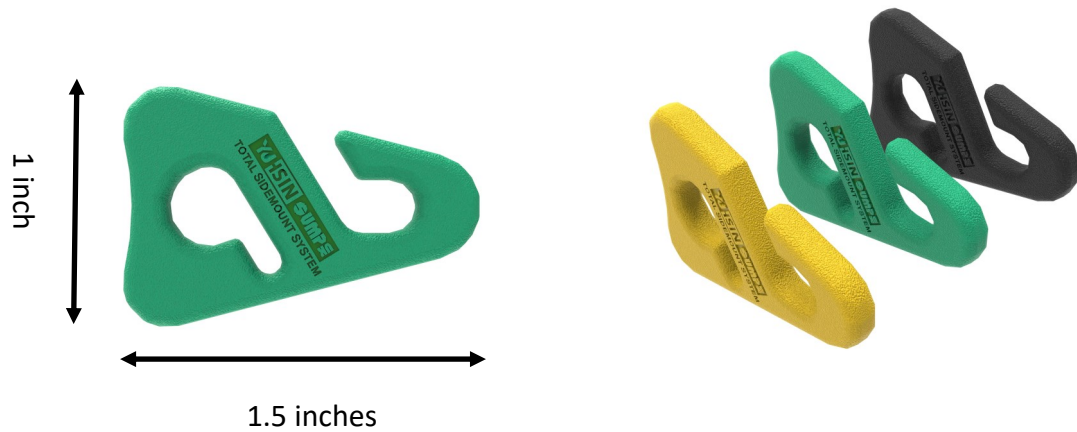
MSRP: \$ 5.10

1 pc

## Material

DUPONT DELRIN 100 (POM)

- D11.0191.619.01.01 Tek Black
- D11.0191.619.01.02 Raid (Orange)
- D11.0191.619.01.03 NITROX (Green)
- D11.0191.619.01.04 Octopus (Yellow)
- D11.0191.619.01.05 TRIMIX (Blue)
- D11.0191.619.01.06 Marry (Red)
- D11.0191.619.01.07 LA VADER (Purple)





## SM Bladder Insulation Screw Set

MSRP: \$ 7.00

### Material

D11.0191.315.01.01

NUT and Wing Disk made by DELRIN CNC, Drive with 4mm Allen Key

M4 Flat Screw, SS304 (Black Electroless Nickel Plating) , Drive with 2.5mm Allen Key



# Drop D-Ring (R+L)

**MSRP: \$ 25**

## **Material**

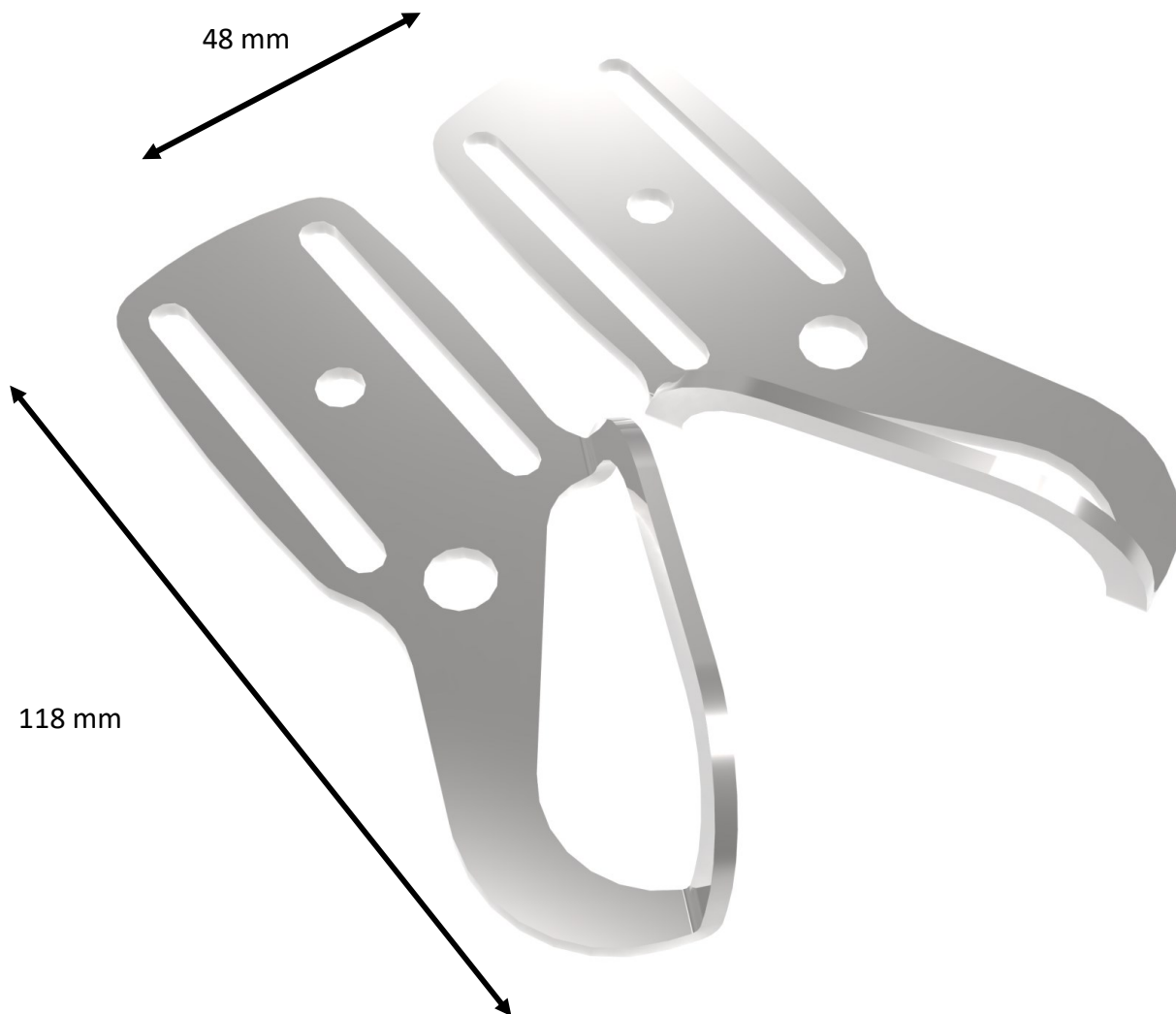
Stainless Steel 316L x 2.5mm thickness

**P/N : D11.0191.693.01.01**

**Right +Left**

**Design for 50mm webbing**

**Weight per piece : 54.8 g**



# Drop D-Ring (R+L) *DLC version*

MSRP: \$ 45

## Material

Stainless Steel 316L x 2.5mm thickness

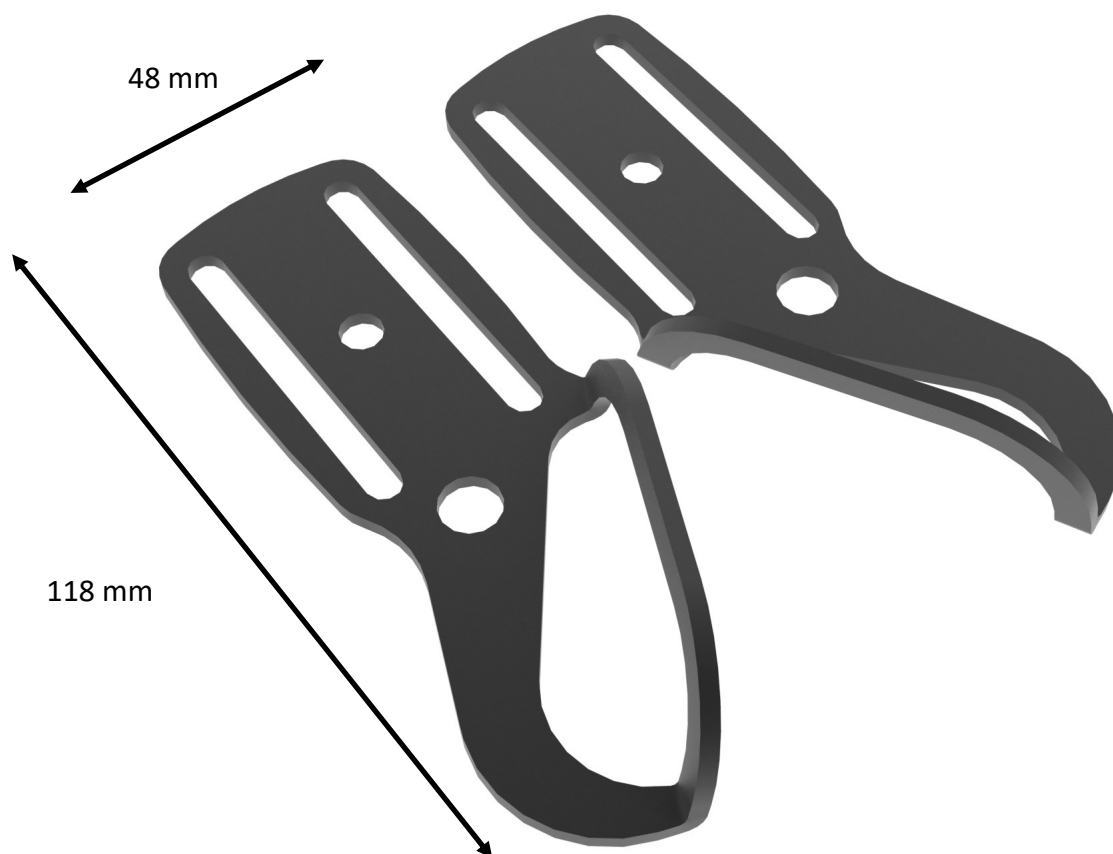
DLC matt black coating

P/N : D11.0191.693.01.02

Right +Left

Design for 50mm webbing

Weight per piece : 55 g



# Drop D-Ring (R+L) PVD version

MSRP: \$ 42

## Material

Stainless Steel 316L x 2.5mm thickness

PVD coating with Zirconia

P/N : D11.0191.693.01.03 PVD Black

P/N : D11.0191.693.01.04 PVD Blue

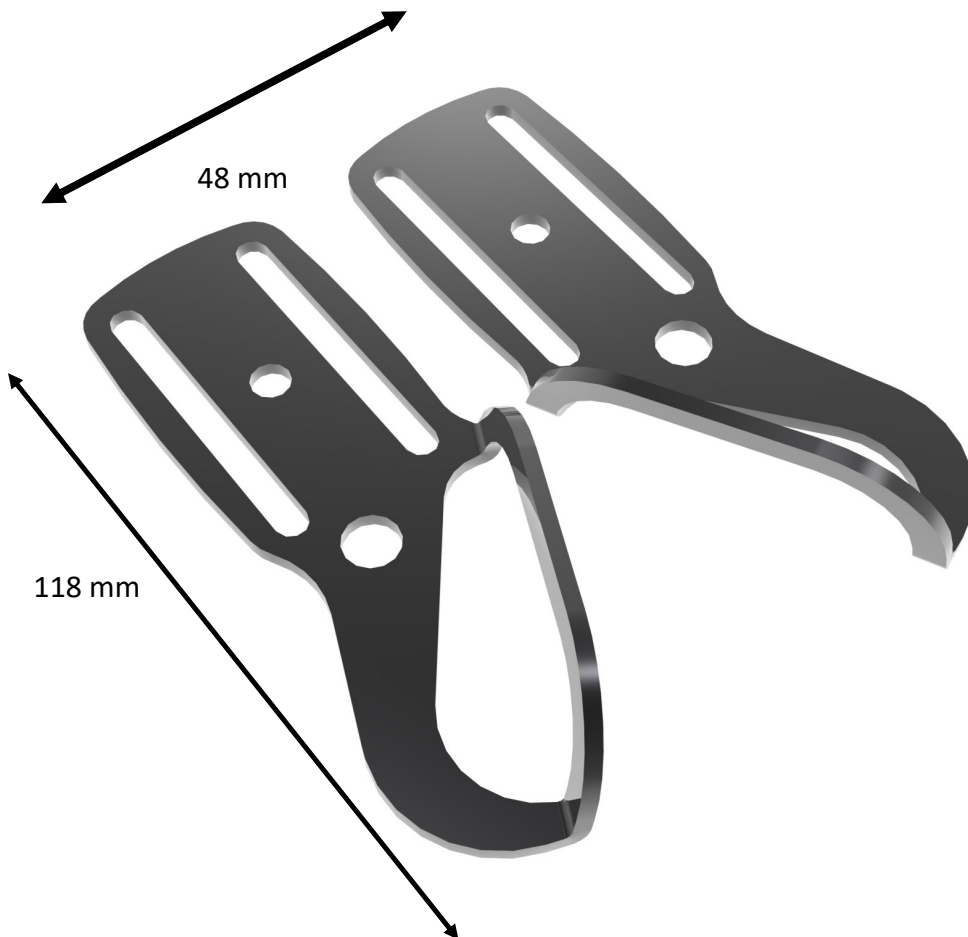
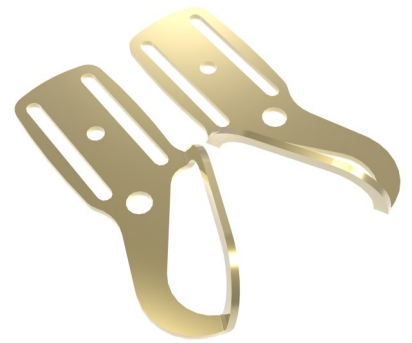
P/N : D11.0191.693.01.05 PVD Gold

P/N : D11.0191.693.01.06 PVD Rose Gold

P/N : D11.0191.693.01.07 PVD Green

Design for 50mm webbing

Weight per piece : 55 g





## Fixed D-Ring *DLC version*

**MSRP: \$ 35**

### **Material**

Stainless Steel 316L x 2.5mm

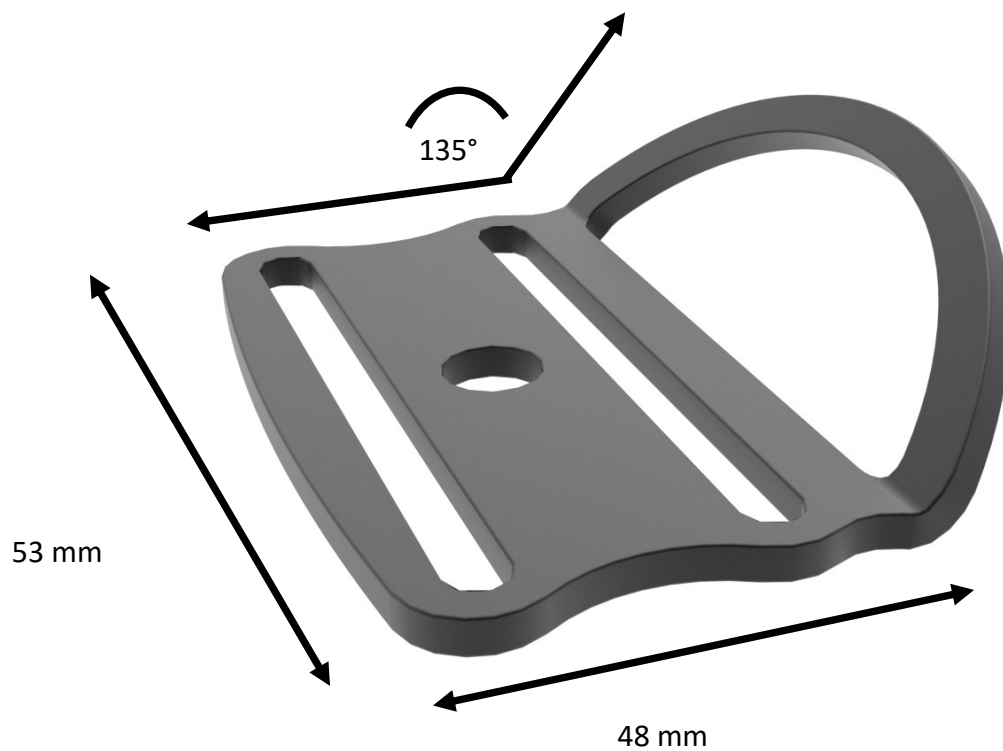
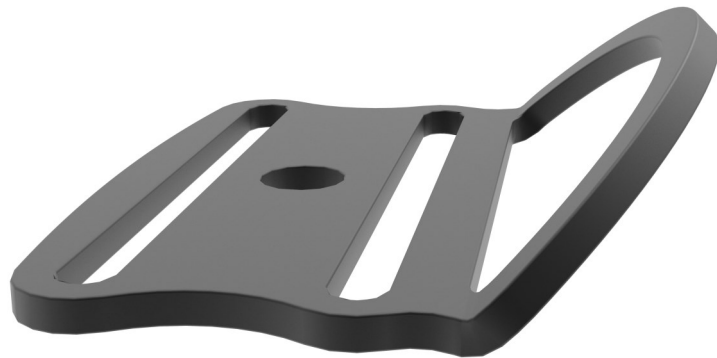
thickness DLC matt black coating

**P/N : D11.0191.607.01.02**

**Design for 50mm webbing**

**Pack with 2pcs**

**Weight per piece : 30 g**



# Fixed D-Ring *Stainless Steel*

**MSRP: \$ 20 USD**

## **Material**

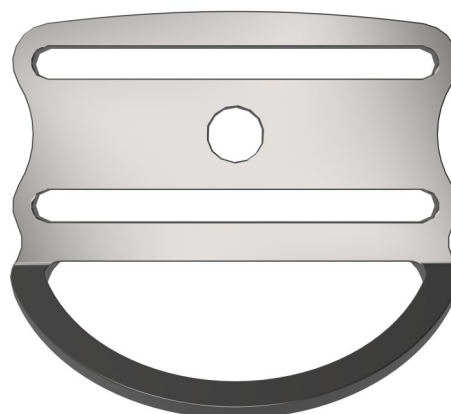
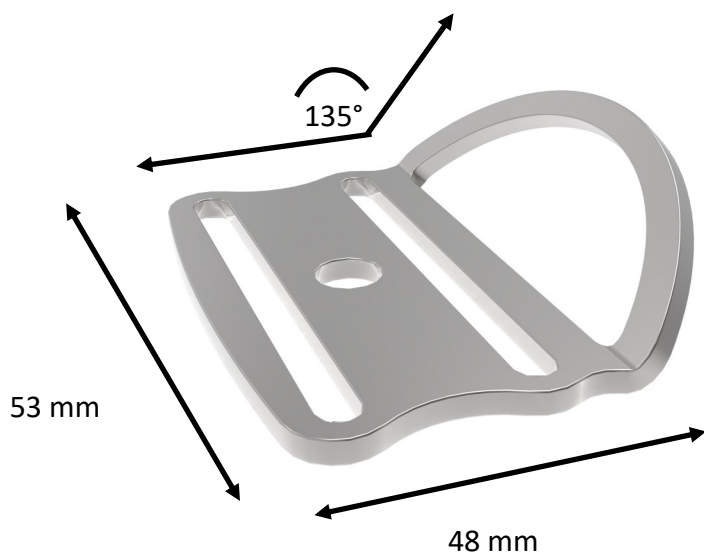
Stainless Steel 316L x 2.5mm thickness

**P/N : D11.0191.607.01.01**

**Design for 50mm webbing**

**Pack with 2pcs**

**Weight per piece : 28.9 g**



# Fixed D-Ring *PVD version*

**MSRP: \$ 33**

## Material

Stainless Steel 316L x 2.5mm thickness

PVD coating with Zirconia

P/N : D11.0191.607.01.03 PVD Black

P/N : D11.0191.607.01.04 PVD Blue

P/N : D11.0191.607.01.05 PVD Gold

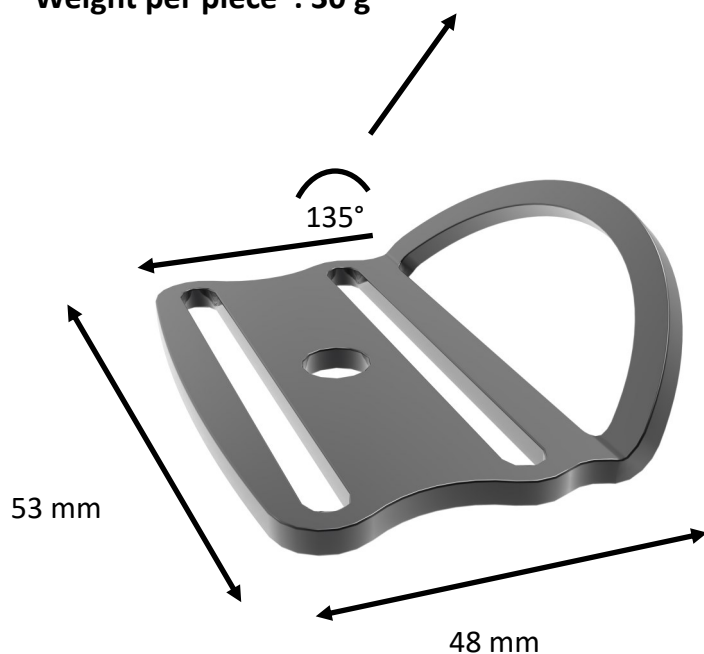
P/N : D11.0191.607.01.06 PVD Rose Gold

P/N : D11.0191.607.01.07 PVD Green

Design for 50mm webbing

Pack with 2pcs

Weight per piece : 30 g



# Fixed D-Ring *Aluminum Version*

**MSRP: \$ 25**

## Material

Alu-5052 x 3mm thickness

P/N : D11.0191.607.02.01 Hard Anodized Black

P/N : D11.0191.607.02.02 Anodized Blue

P/N : D11.0191.607.02.03 Anodized Red

P/N : D11.0191.607.02.04 Anodized Green

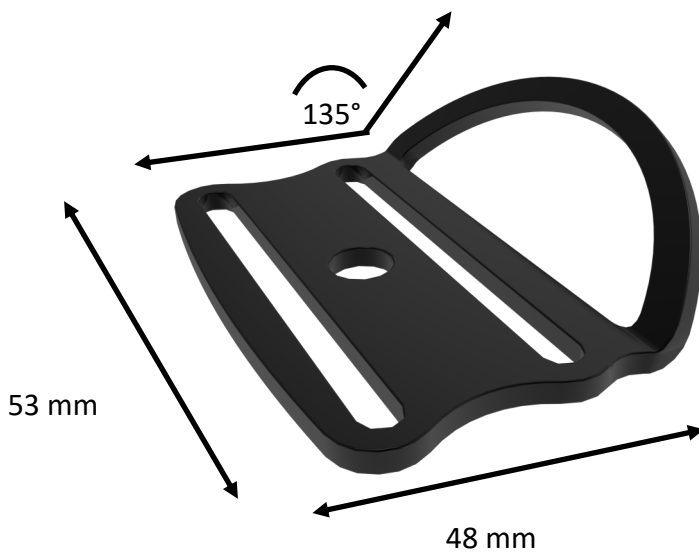
P/N : D11.0191.607.02.05 Anodized Gold

P/N : D11.0191.607.02.06 Anodized Pink

Design for 50mm webbing

Weight per piece : 11.6 g

Pack with 2pcs





# Mankini Kit

**MSRP: \$ 7.50**

## **Material**

1 inch webbing x 1.5meter

1 inch Tri bar Glider (stainless steel 304) x 2pcs P/

**N : D11.0191.695.01.01 w/ Black webbing**

**P/N : D11.0191.695.01.02 w/ Orange webbing P/N :**

**D11.0191.695.01.03 w/ Blue webbing**

**P/N : D11.0191.695.01.04 w/ Pink webbing**

**P/N : D11.0191.695.01.05 w/ Neon Yellow webbing**

